

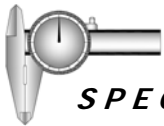


**Single Magnetic Lock with 600 lbs Holding Force and Integral Magnetic Contact**

The STG 600 series electromagnetic locks are renowned for their excellent quality and reliability.

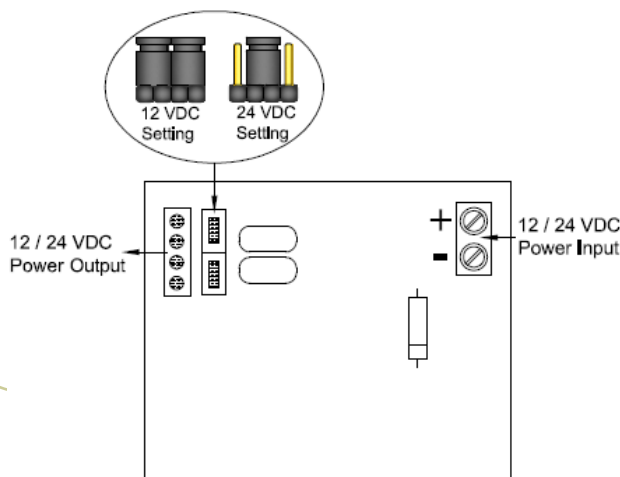
Their features make them an ideal choice for demanding applications.

Manufactured under strict quality standards to PSB Standards and in compliance with CE regulations.



**SPECIFICATIONS:**

- ▶ **Voltage Input :** 12 VDC / 24 VDC
- ▶ **Current Draw :** 12V / 480mA ; 24V / 240mA (±5%)
- ▶ **Holding Force :** Up to 600 lbs (272 kg)
- ▶ **Magnetic Contact Rating :** 28 VDC, 0.5A, 10W
- ▶ **Anti-Rust Surface Treatment :** Blue Zinc Plating
- ▶ **Operating Temperature :** 0~55° C ( 32~131° F)
- ▶ **Operating Humidity :** 0~95% ( non condensing)
- ▶ **Weight ( Magnet ) :** 1.08 kg (±1%)
- ▶ **Dimensions :** Magnet - (L)250x(W)42x(T)25 mm  
Armature - (L)180x(W)38x(T)11 mm



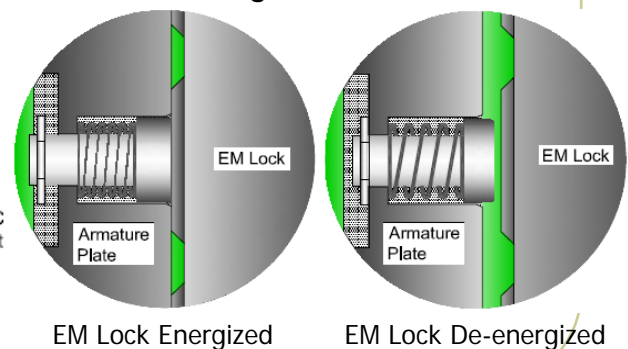
**IMPORTANT!**

Set the jumper position according to the power input correctly before switch ON the power.



**FEATURES:**

- ▶ **Dual Voltage Selectable (12 VDC or 24 VDC)**
- ▶ **Low Current Consumption**
- ▶ **Reliable Holding Force**
- ▶ **Built-in Magnetic Contact for Door Status Monitoring**
- ▶ **Durable and Silent Operation**
- ▶ **Anodized Aluminum Casing**
- ▶ **Surge & Spike Protection PCB**
- ▶ **Anti-Tamper Jam Nuts**
- ▶ **Full Range of Optional Brackets**
- ▶ **Anti Residual Magnetism Kick Off Button**



**Disclaimer :**

STG reserve the right to amend or modify models, features or price without notice. All the information and specifications stated in this document are current at the time of publication and are subject to change without notice.

**Security . Quality . Reliability**